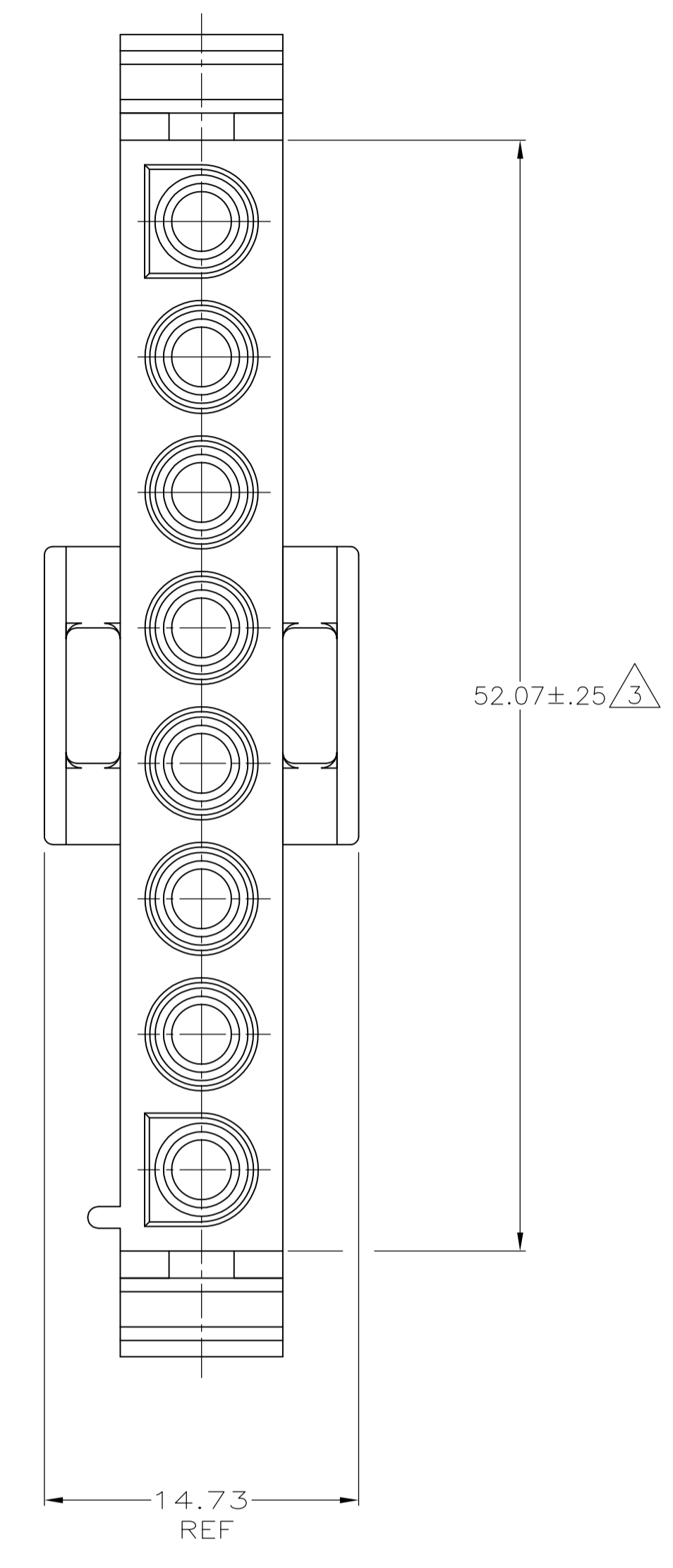
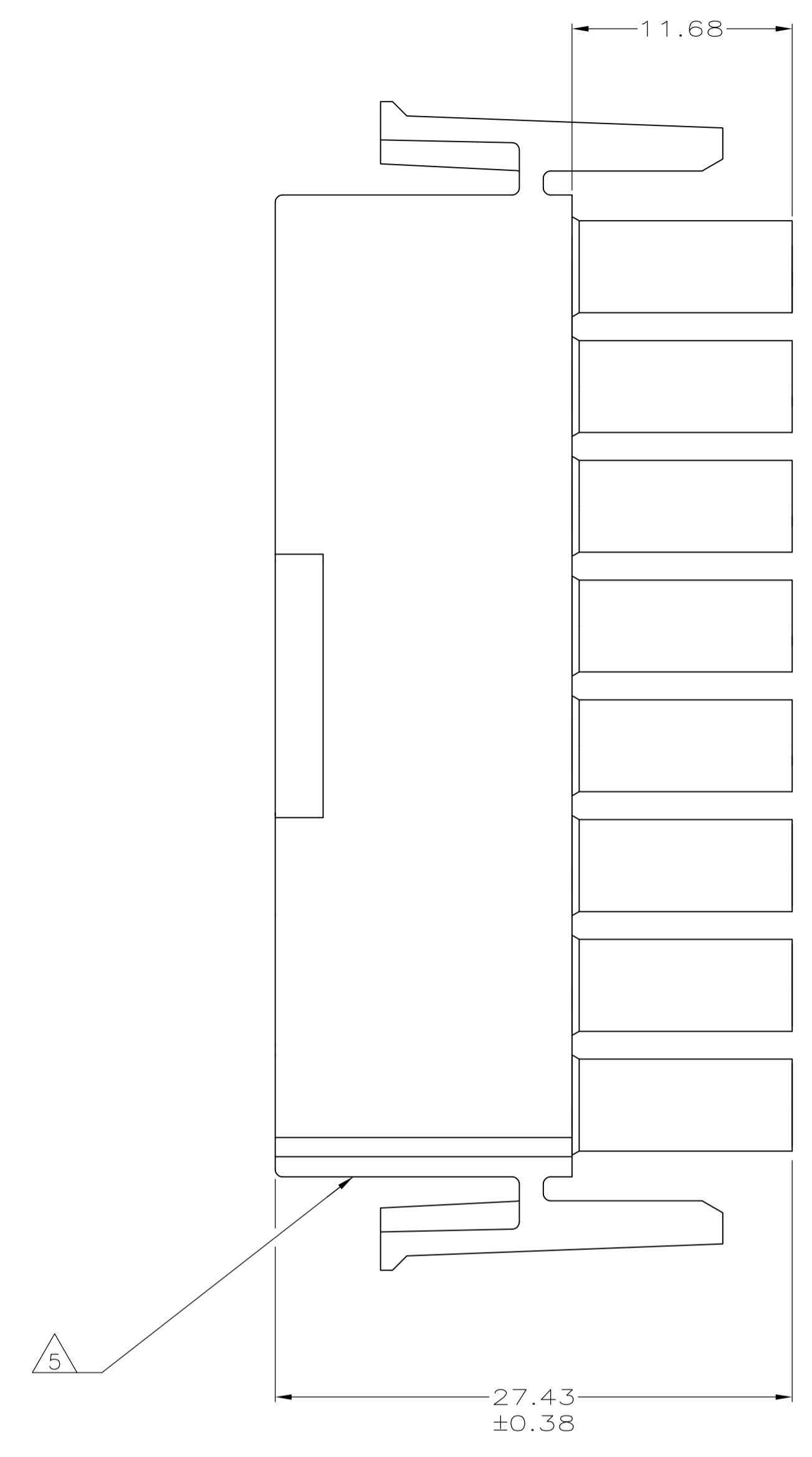
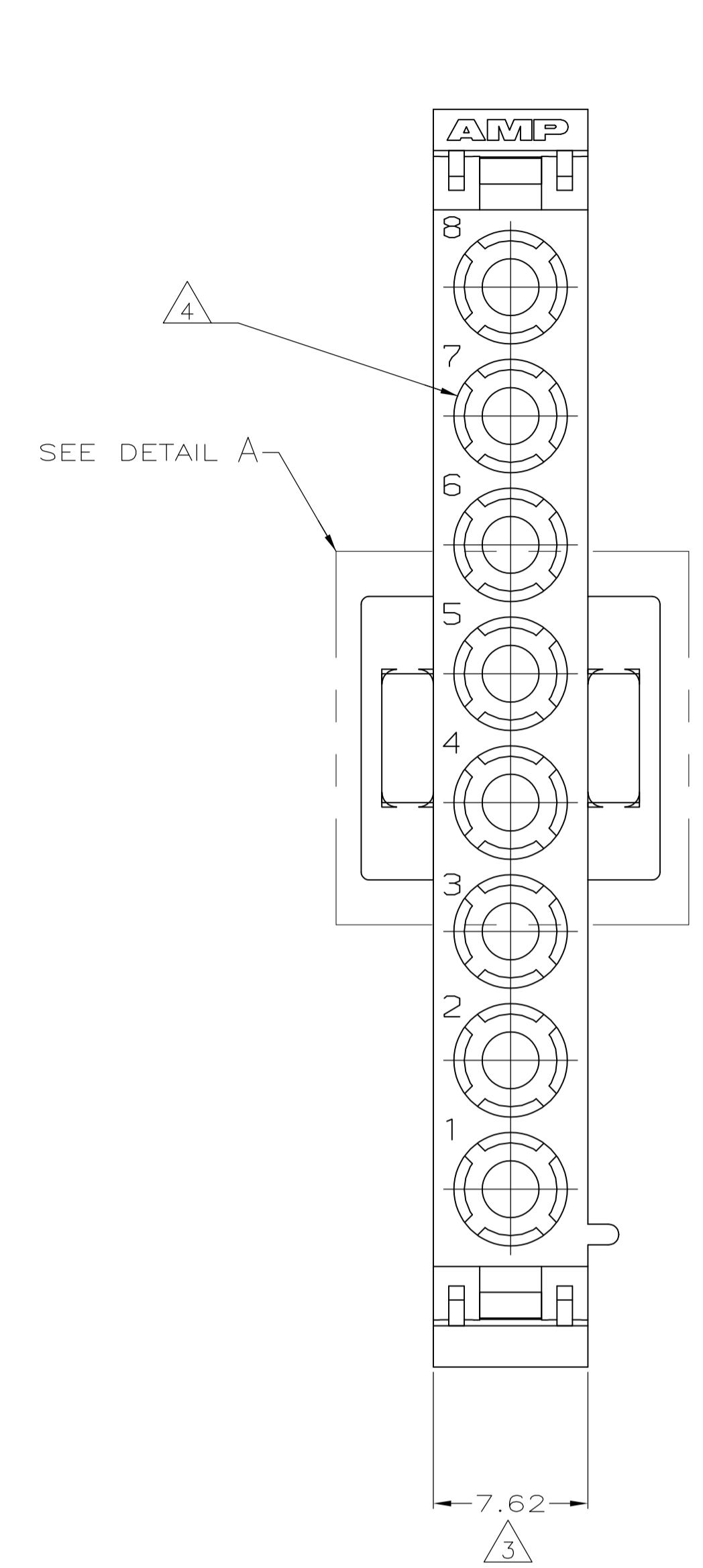
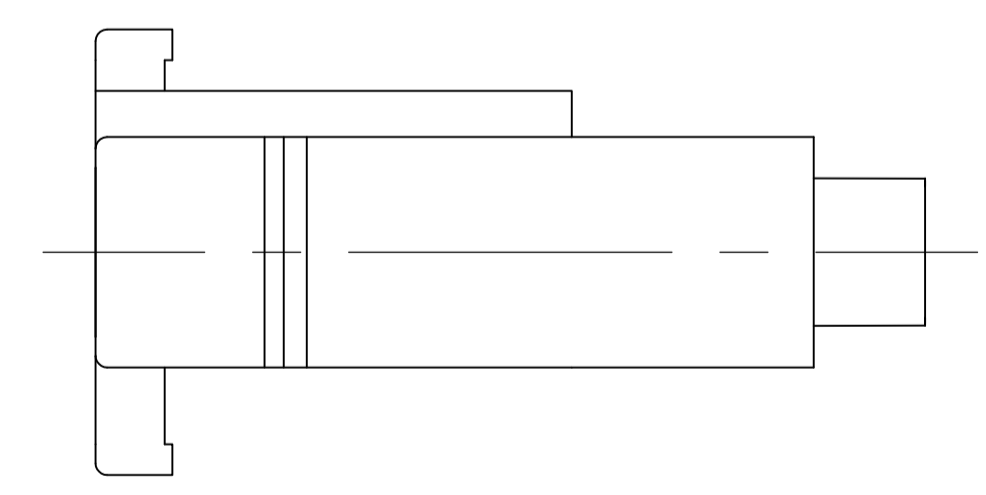
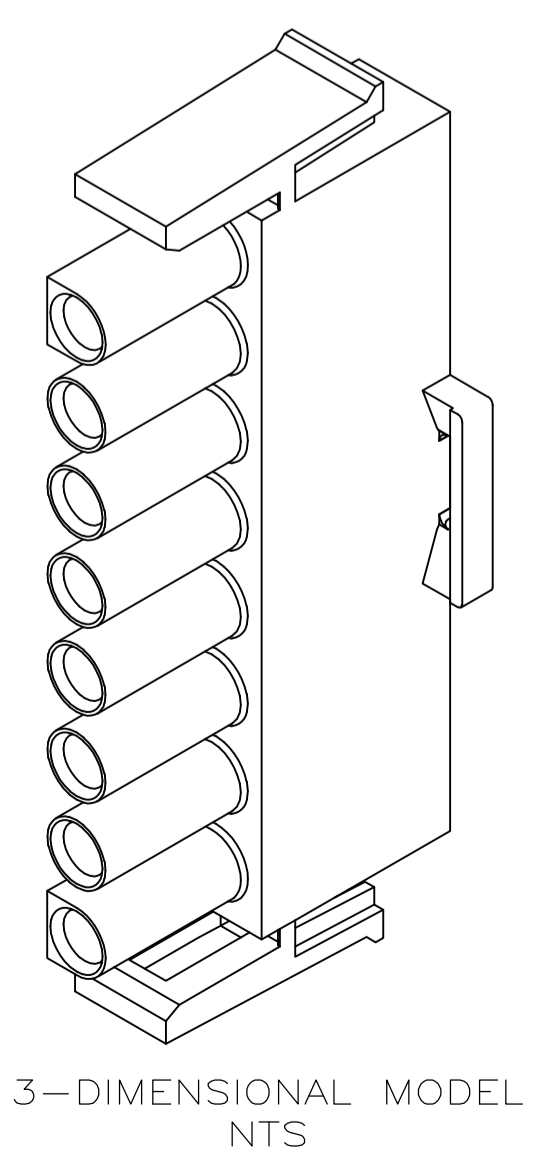
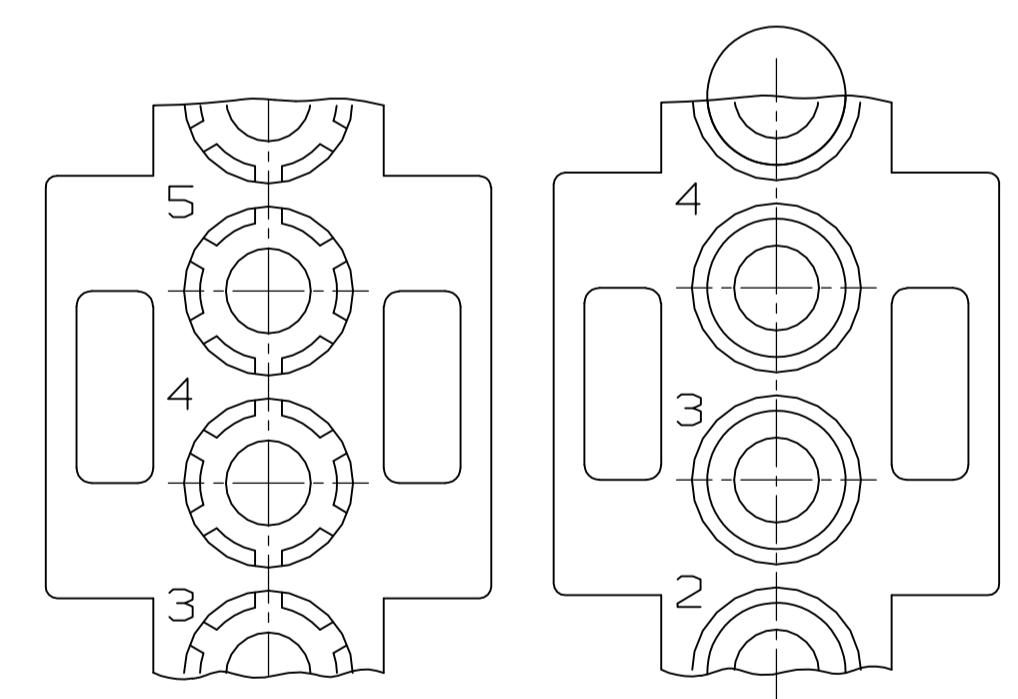


LOC		DIST		REVISIONS			
P	LTR	DESCRIPTION	DATE	DNW	APVD		
S1		REVISED PER ECR-15-018109	23DEC2015	BW	EW		



- 1 MATES WITH APPROPRIATE UNIVERSAL MATE-N-LOK™ CAP OR HEADER.
- 2 SMALL NICKS ARE PERMITTED ON THE CIRCUIT TOWERS WHICH COULD INCREASE THE INITIAL HOUSING MATING FORCE BY UP TO 4.4 NEWTONS [1.0 LBS]. NO INDIVIDUAL NICKED TOWER SHALL INCREASE THIS FORCE BY OVER 2.2 NEWTONS [.5 LBS].
- 3 DIMENSION INDICATED IS AS MOLDED. ADDITIONAL GROWTH DUE TO SUBSEQUENT MOISTURE ABSORPTION MAY OCCUR.
- 4 FOUR RIBS EQUALLY SPACED, NO SPECIFIC ORIENTATION. NO RIBS OR SIX RIBS EQUALLY SPACED, NO SPECIFIC ORIENTATION, OPTIONAL.
- 5 UNDERWRITERS RECOGNIZED COMPONENT LOGO AND CSA CERTIFICATION LOGO TO BE LOCATED ONCE EACH ON SIDE OF HOUSING.



DIMENSIONS:	TOLERANCES UNLESS OTHERWISE SPECIFIED:
INCHES	
52.07	2.050
27.43	1.080
14.73	.580
11.68	.460
7.62	.300
0.38	.015
0.13	.005
MM	IN

CONVERSION TABLE

THIS DRAWING IS A CONTROLLED DOCUMENT.

DIN K. WHITAKER 2-28-92	TE Connectivity
CHK R. SWING 2-28-92	
APVD D. SELF 3-5-92	NAME
PRODUCT SPEC	PLUG, 8 CIRCUIT, UNIVERSAL MATE-N-LOK™
APPLICATION SPEC	SIZE CAGE CODE DRAWING NO
WEIGHT	A1 00779 C=640586
MATERIAL NYLON, UL94V-2 NYLON	FINISH
RESTRICTED TO	SCALE 4:1 SHEET 1 OF 1 REV S1

CUSTOMER DRAWING

640586-1
PART NO